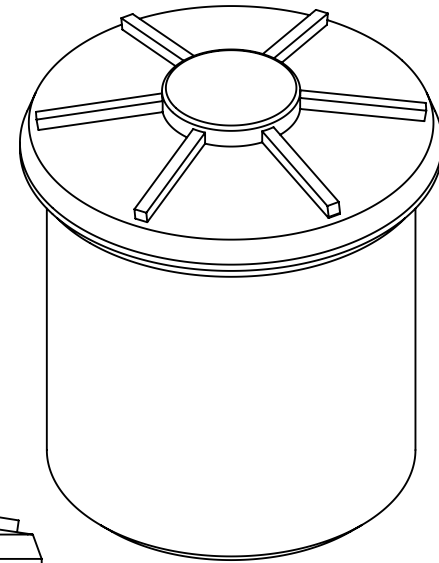
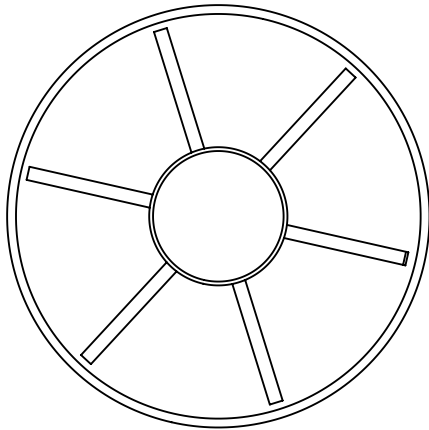
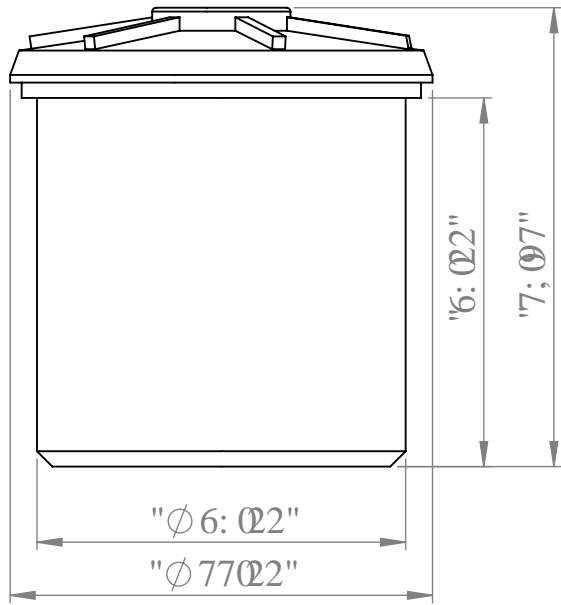


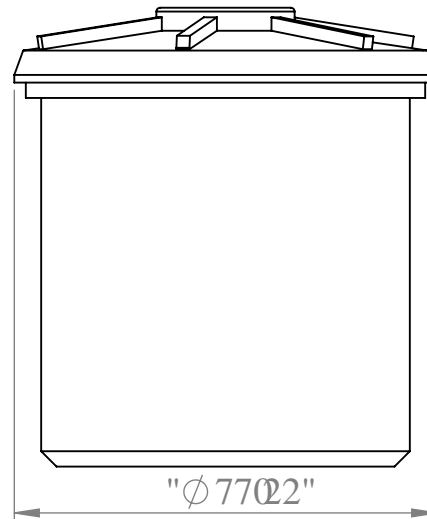
VQR



HTQP V



TK J V'UEFG



CNN'FO GP UKP UCTG'P'P'EJ GU  
WPNGUU'QVJ GTY KUG'URGEHIGF 0

DNC\ G'RNCUVÆU'RCTVP GTUJ R

RTQRTIGVCTI 'CPF'EQPHF GPVICN

VJ G'P'HQTO CVIQP'EQP VCH'GF'P'VJ KU  
FTCY R'P I 'R'U'VJ G'UQNGRTQRGTVJ 'QH  
DNC\ G'RNCUVÆU'RCTVP GTUJ R'U'CP I "  
TGRTOF WEVIQP'P'RCTV'QT'CUC'Y J QNG  
Y R'J QW'VJ G'Y T'R'VGP'RGTO KLUQP'QH  
DNC\ G'RNCUVÆU'RCTVP GTUJ R'U'  
RTQJ R'K'GF 0

522I 'Dcttgn

UECNG<347

F cvg

UJ GGV'3'QH'3

)

↑

(

,

&

%