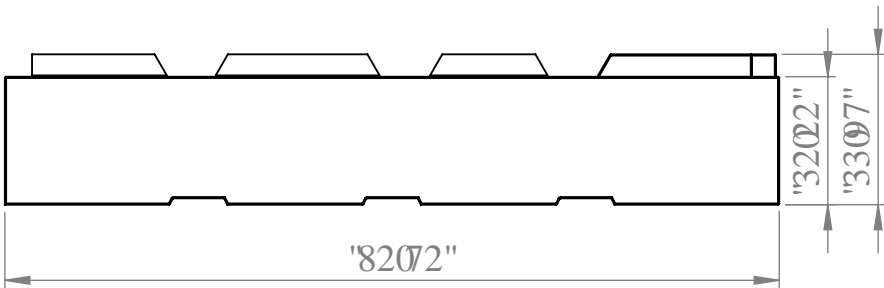
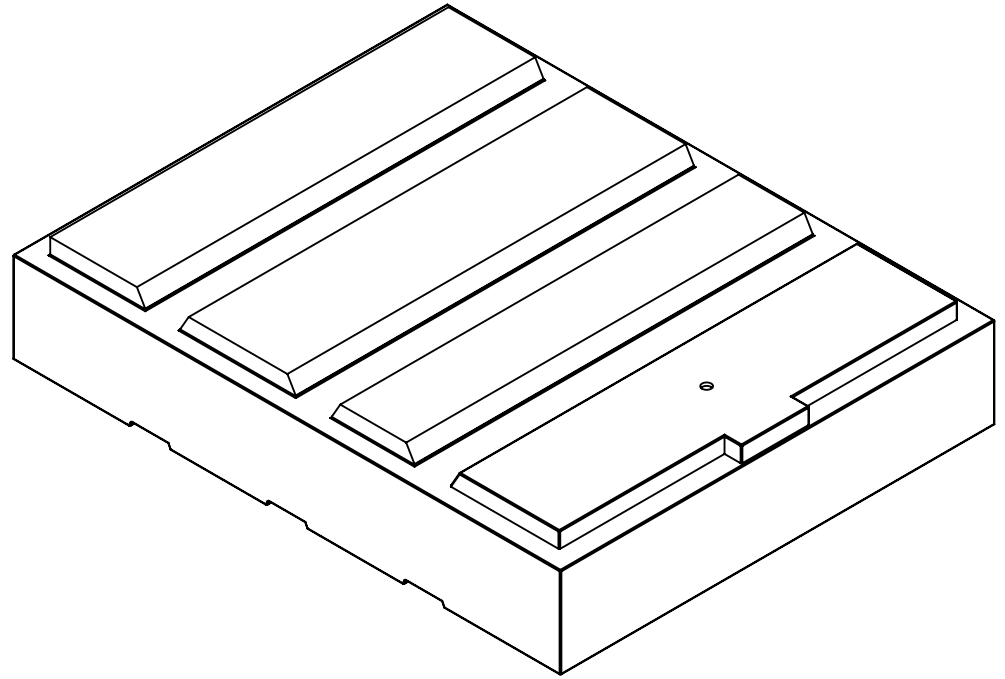
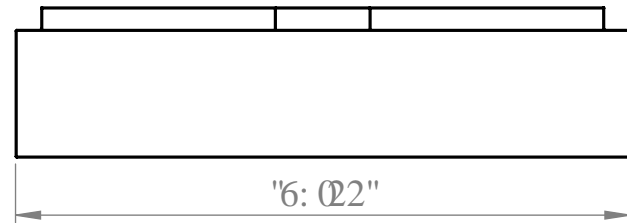


VQR



HTQP V



TK J V'UKFG

CNNFIO GP UQP UCTGTP RP EJ GU
WP NGUUQVJ GTY RUGURGEHIGF 0

RTQRTKGVCTI 'CPF'EQPHFGPVCN
VJ GTPHQTO CVIQP 'EQP VCH'GF RP 'VJ KU
FTCY RP I 'RU'VJ GUQNGRTQRTVJ 'QH
DNC\ GRNCUVÆURCTVP GTUJ RR'CP I "
TGRTOF WEVQP RP 'RCTV'QT'CUC'Y J QNG
Y R/J QW'VJ G'Y TR'VGP 'RGTO KLUQP 'QH
DNC\ GRNCUVÆURCTVP GTUJ RR'W'
RTQJ RDR'GF 0

DNC\ G'RN'CUVÆURCTVP GTUJ RR

TX'327

UECNG<3-37

F cvg

UJ GGV'3'QH'3

)

↑

(

,

&

%