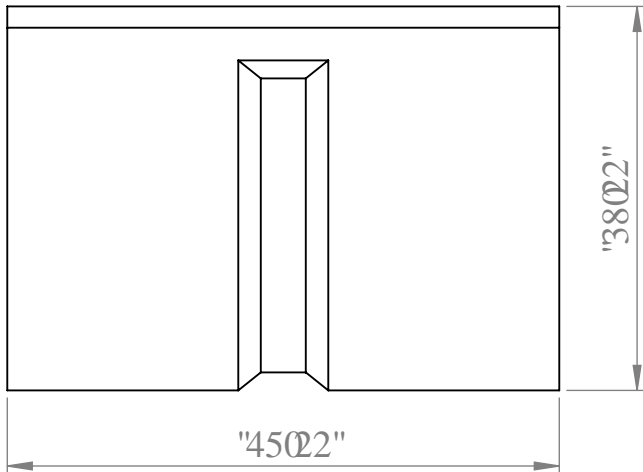
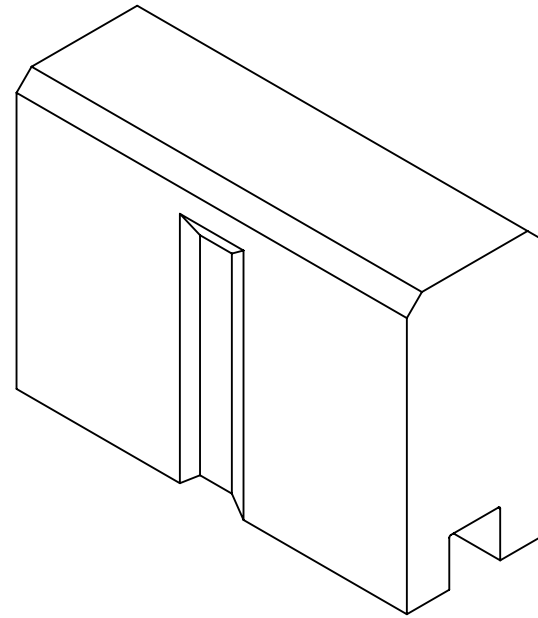
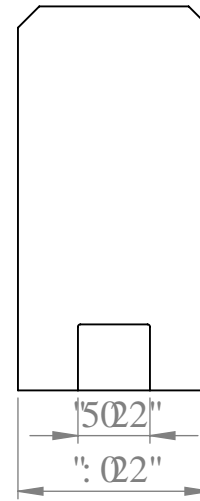


VQR



HTQP V



TK J V'UKFG

CNNF IO GP UQ P UCTG TP RP EJ GU  
WP NGU UQ VJ GY RUG URGE HIG F 0

DNC \ G'RNCUVÆURCTVP GTUJ RR

RTQRTIGVCTI 'CPF'EQPHFGPVCN  
VJ GTPHQTO CVIQP'EQP VCH'GF'RP'VJ KU  
FTCY RP I 'RU'VJ GUQNGRTQRGTV\ 'QH  
DNC\ GRNCUVÆURCTVP GTUJ RR'CP I "  
TGRTOF WEVQ P'RP'RCTV'QT'CU'CY J QNG  
Y R\J QW'VJ GY TR'VGP'RGTO RUIQP 'QH  
DNC\ GRNCUVÆURCTVP GTUJ RR'RU'  
RTQJ RDR'GF 0

TX32'Wr tki j v

UECNG<3<

F cvg

UJ GGV'3'QH'3

)

(

&

%