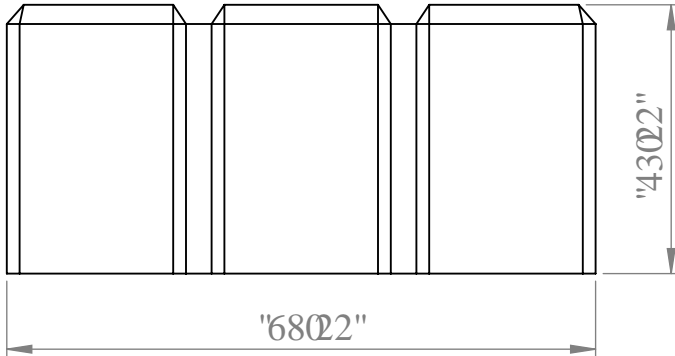
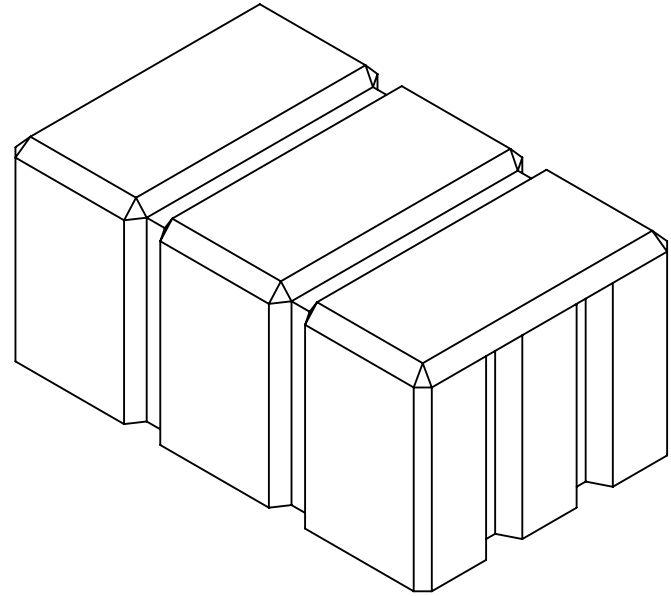
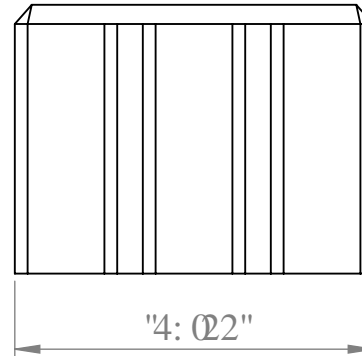


VQR



HTQP V



TK J V'UKF G

CNNF IO GP UQ P UCTG TP RP EJ GU
WP NGUUQVJ GTY RUGURGEHIGF 0

DNC \ G'RNCUVÆURCTVP GTUJ RR

RTQRTIGVCTI 'CPF'EQPHFGPVCN
VJ GTPHQTO CVIQP 'EQP VCH'GF 'RP 'VJ KU
FTCY RP I 'RU'VJ G'UQNGRTQRGTVJ 'QH
DNC \ GRNCUVÆURCTVP GTUJ RR'CP I "
TGRTOF WEVQ P 'RP 'RCTV'QT' CUC'Y J QNG
Y R/J QW'VJ G'Y TR'VGP 'RGTO RUIQP 'QH
DNC \ GRNCUVÆURCTVP GTUJ RR'RU'
RTQJ RDR'GF 0

TX": 7

UECNG<3-37

F cvg

UJ GGV'3'QH'3

)

↑

(

,

&

%