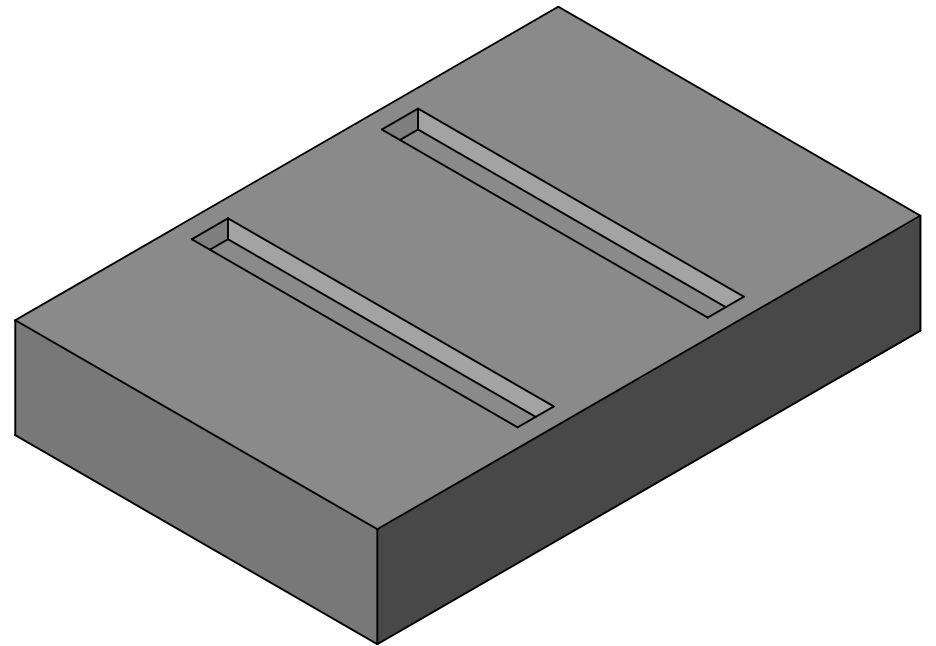
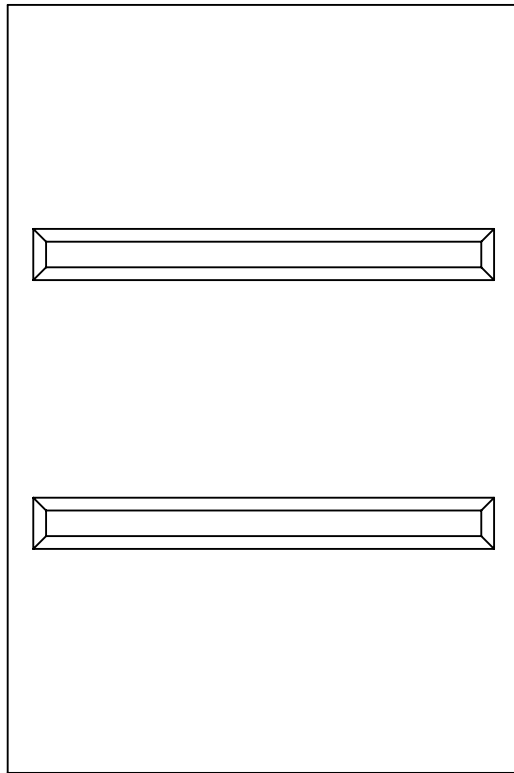


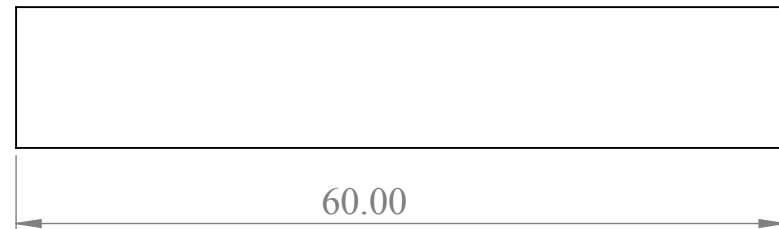
TOP



FRONT



RIGHT SIDE



ALL DIMENSIONS ARE IN INCHES  
UNLESS OTHERWISE SPECIFIED.

**PROPRIETARY AND CONFIDENTIAL**  
 THE INFORMATION CONTAINED IN THIS  
 DRAWING IS THE SOLE PROPERTY OF  
 BLAZE PLASTICS PARTNERSHIP. ANY  
 REPRODUCTION IN PART OR AS A WHOLE  
 WITHOUT THE WRITTEN PERMISSION OF  
 BLAZE PLASTICS PARTNERSHIP IS  
 PROHIBITED.

BLAZE PLASTICS PARTNERSHIP

LP-95

SCALE: 1:15

Date

SHEET 1 OF 1