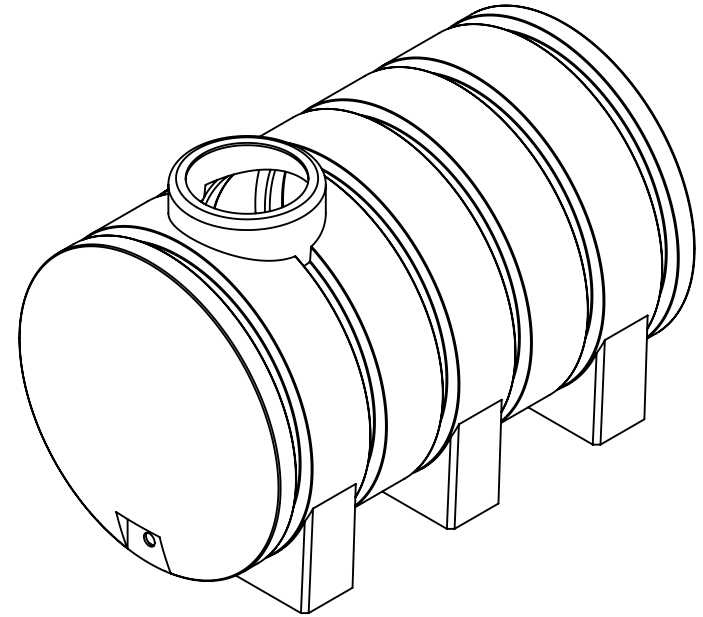
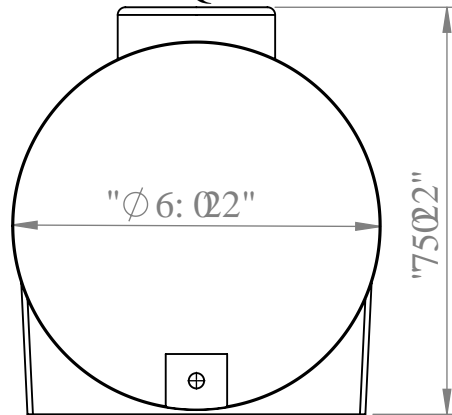
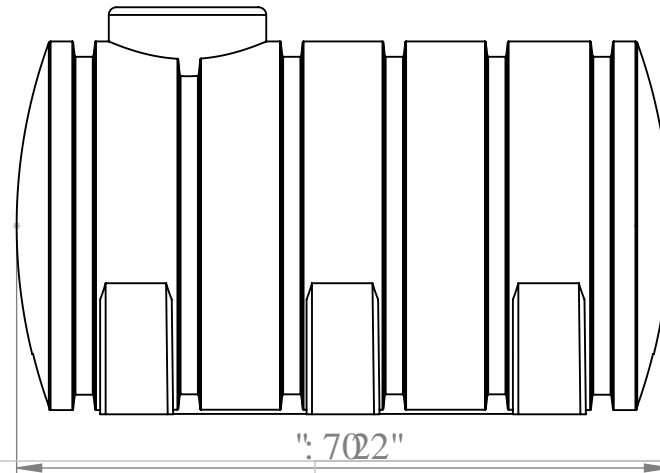


HTQP V



TK J V'UKFG



CNN'FO GP UKQP UCTG'P'P' EJ GU
WPNGU'QVJ GY KUG'URGEHIGF 0

DNC\ G'RNCUVKURCTVP GTUJ KR

RTQRTIGVCTI 'CPF'EQPHFGPVIKN
VJ G'P'HQTO CVIQP'EQP VCH'GF'P' VJ KU
FTCY P' I 'K'U'VJ G'U'QNG'RTQRTVJ 'QH
DNC\ G'RNCUVKURCTVP GTUJ KR'CP I "
TGRTOF WEVQ'P'P' RCTV'QT' CUC'Y J QNG
Y KJ QW'VJ G'Y TR'VGP'RGTO KLUQ'P'QH
DNC\ G'RNCUVKURCTVP GTUJ KR'U'
RTQJ KDR'GF 0

VV'747

UECNG<347

F cvg

UJ GGV'3'QH'3

)

↑

(

'

&

%