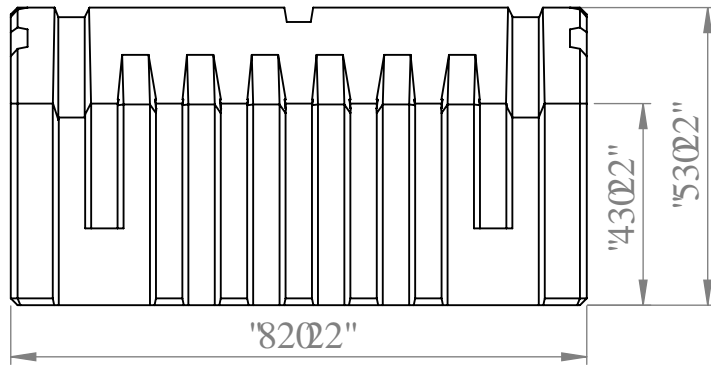
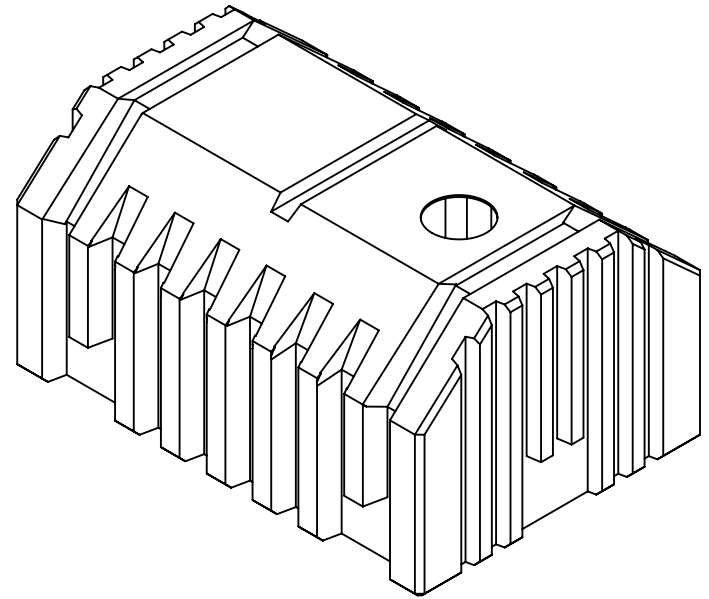
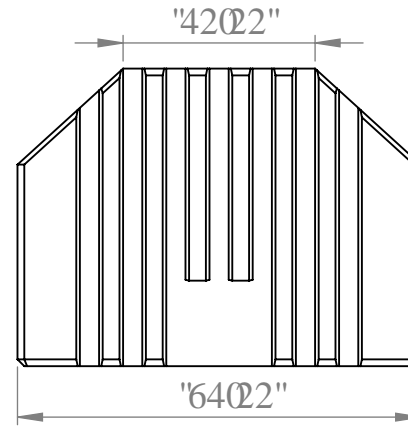


VQR



HTQP V



TJ J V'UFG

CNN'FO GP UKQP UCTG'P'P'EJ GU
WPNGU'QVI GTY KUG'URGEHGF 0

RTQRTIGVCTI 'CPF'EQPHF'GPVKCN
VI G'P'HQTO CVIQP'EQP VCH'GF'P'VJ KU
FTCY P'I 'RU'VJ GUQNGRTQRTV' QH
DNC\ GRNCUVÆURCTVP GTUJ R'R'CP I "
TGRTOF WEVQP'P' RCTV'QT'CUC'Y J QNG
Y R'J QW'VJ G'Y TR'VGP'RGTO KLUQP'QH
DNC\ GRNCUVÆURCTVP GTUJ R'R'U'
RTQJ RDR'GF 0

DNC\ GRNCUVÆURCTVP GTUJ R'R

NRUV"442

UECNG<3-42

F cvg

UJ GGV'3'QH'3