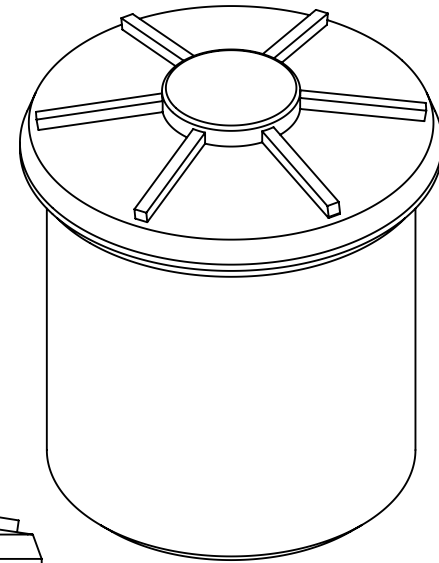
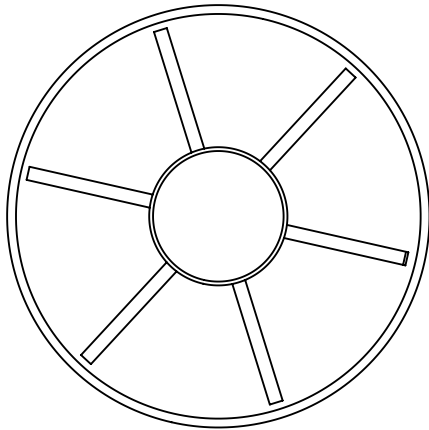
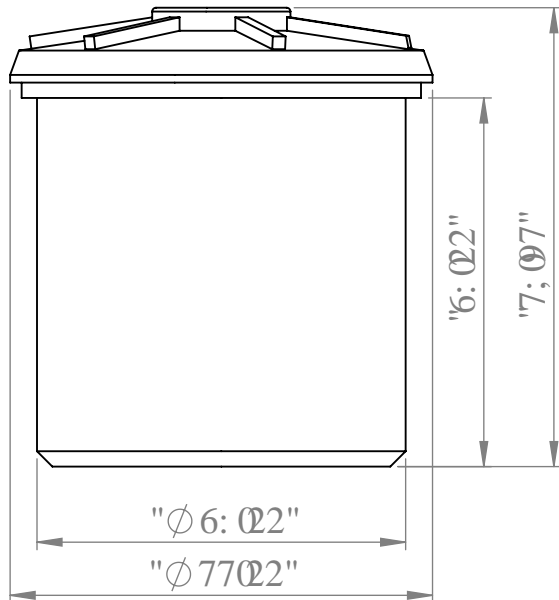


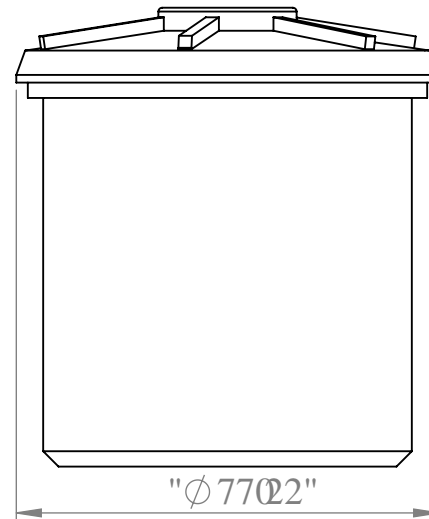
VQR



HTQP V



TK J V'UEFG



CNN'FO GP UKP UCTG'P'P'EJ GU
WPNGU'QVJ GTY KUG'URGEHIGF 0

DNC\ G'RNCUVÆU'RCTVP GTUJ R

RTQRTIGVCTI 'CPF'EQPHF GPVICN
VJ G'P'HQTO CVIQP'EQP VCH'GF'P'VJ KU
FTCY R'P'U'VJ G'UQNGRTQRTVJ 'QH
DNC\ G'RNCUVÆU'RCTVP GTUJ R'R'CP I "
TGRTOF WEVIQP'P'RCTV'QT'CUC'Y J QNG
Y R'J QW'VJ G'Y T'R'VGP'RGTO KLUQP 'QH
DNC\ G'RNCUVÆU'RCTVP GTUJ R'R'U'
RTQJ RDR'GF 0

E { rkp f tkecn'522'Dqppgv

UECNG<347

F cvg

UJ GGV'3'QH'3

)

↑

(

,

&

%