

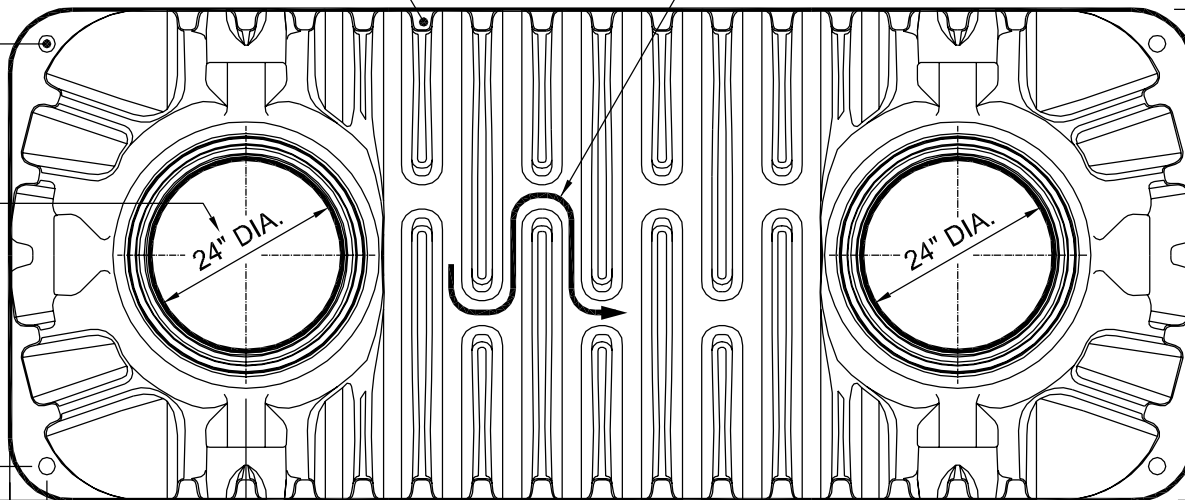
HORIZONTAL STRUCTURAL REINFORCING RIBS  
(FULL CIRCUMFERENCE)

GAS (TOP) / LIQUID (BOTTOM)  
PASS-THRU SLOT INSIDE TANK

**TOP**

LIFTING HOLES  
(4 TYPICAL)

THREADED ACCESS OPENING  
24" I.D. DIA.  
(2 TYPICAL)



WIDTH = 62"

4.25" TYP.

4.25" TYP.  
29 1/2" TYP.

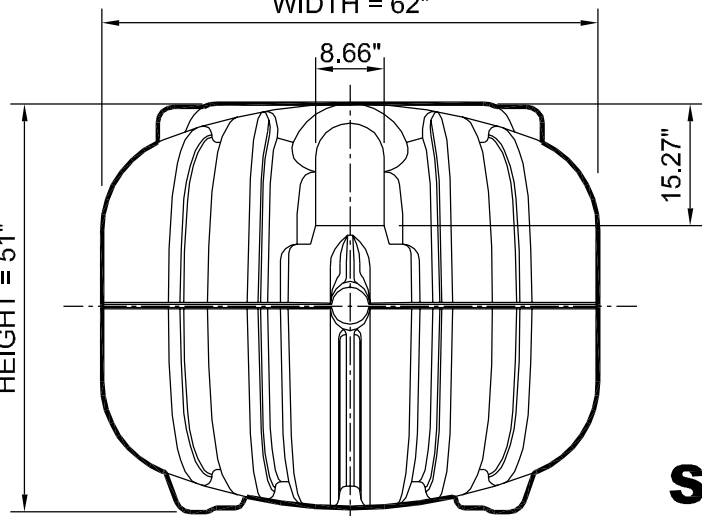
LENGTH = 148"

WIDTH = 62"

8.66"

HEIGHT = 51"

15.27"



**SIDE**

**TANK SPECIFICATIONS**

DESIGN CAPACITY		TOTAL CAPACITY		WEIGHT
GALLONS	LITERS	GALLONS	LITERS	POUNDS
1250	4730	1464	5541	560

DWG SCALE: 1:1

PLOT SCALE: 1:2

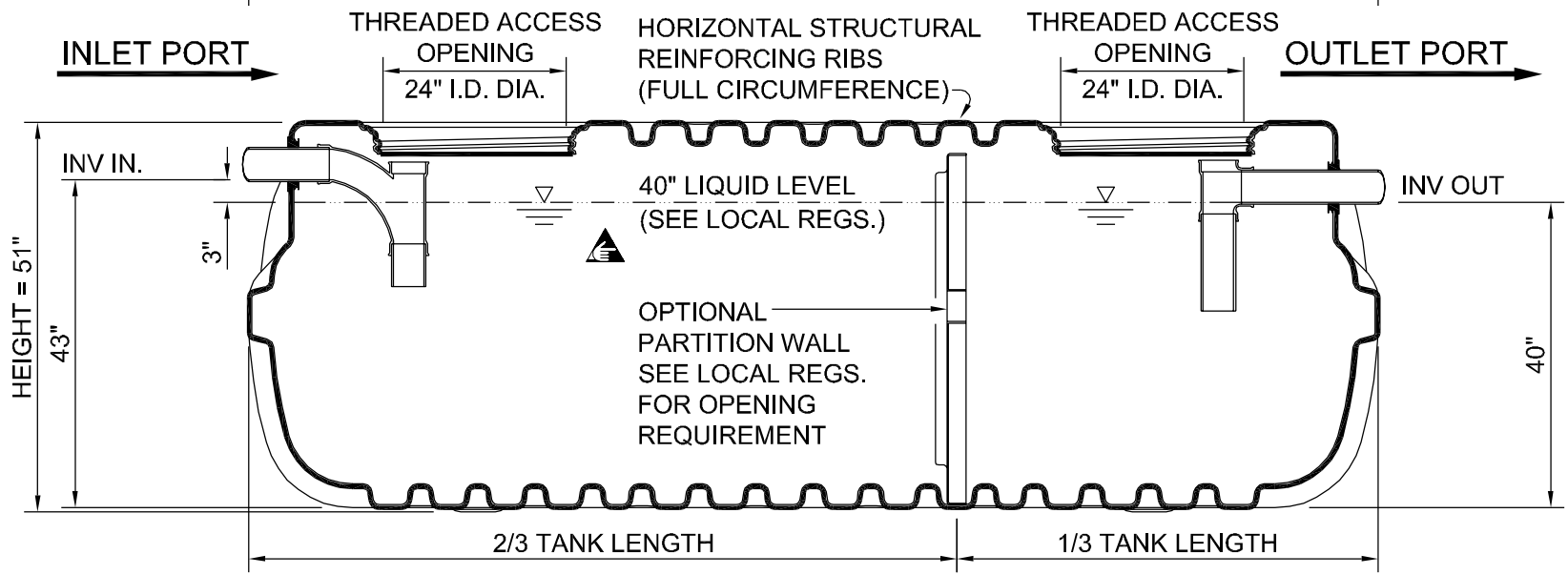
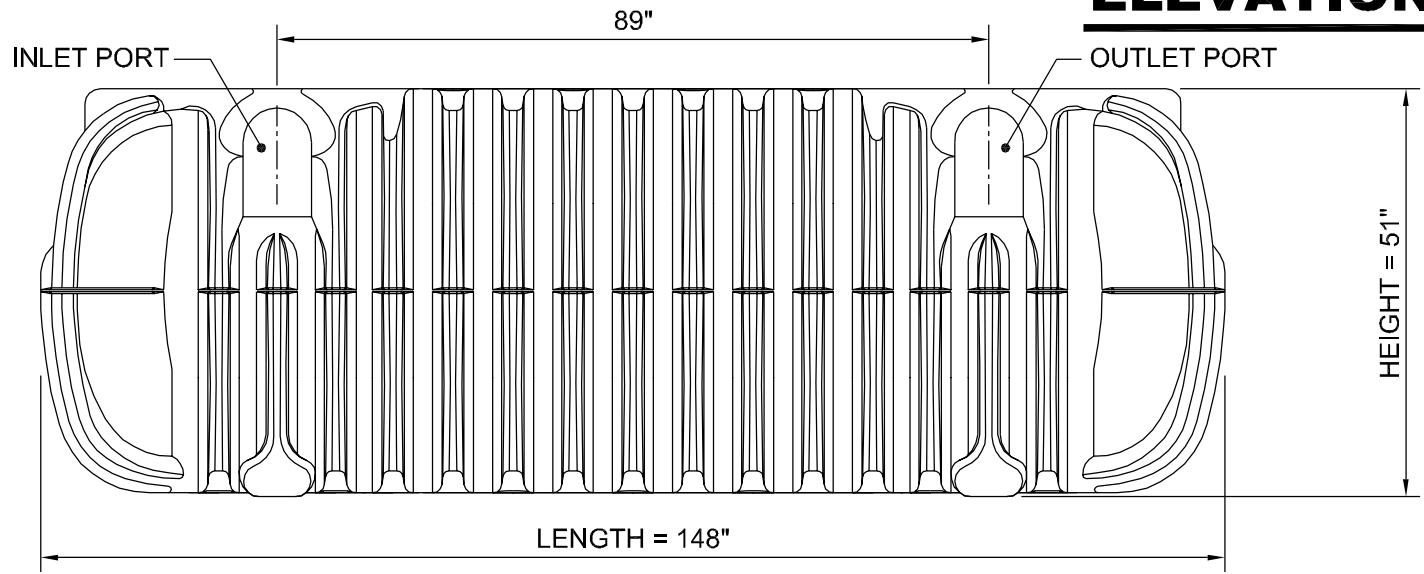
SHEET #: 1 OF 3

**ROTH MultiTank®**  
**1250 GALLON / MODEL RMT-1250**



ROTH GLOBAL PLASTICS  
One General Motors Drive  
Syracuse N.Y. 13206  
Call Toll Free 866.943.7256  
www.fralo.net

# ELEVATION



**40" LIQUID LEVEL** ▲

# SECTION

DWG SCALE: 1:1
PLOT SCALE: 1:2
SHEET #: 2 OF 3

**ROTH MultiTank®**  
**1250 GALLON / MODEL RMT-1250**



ROTH GLOBAL PLASTICS  
One General Motors Drive  
Syracuse N.Y. 13206  
Call Toll Free 866.943.7256  
www.fralo.net

**ISOMETRIC**

HORIZONTAL STRUCTURAL REINFORCING RIBS  
(FULL CIRCUMFERENCE)

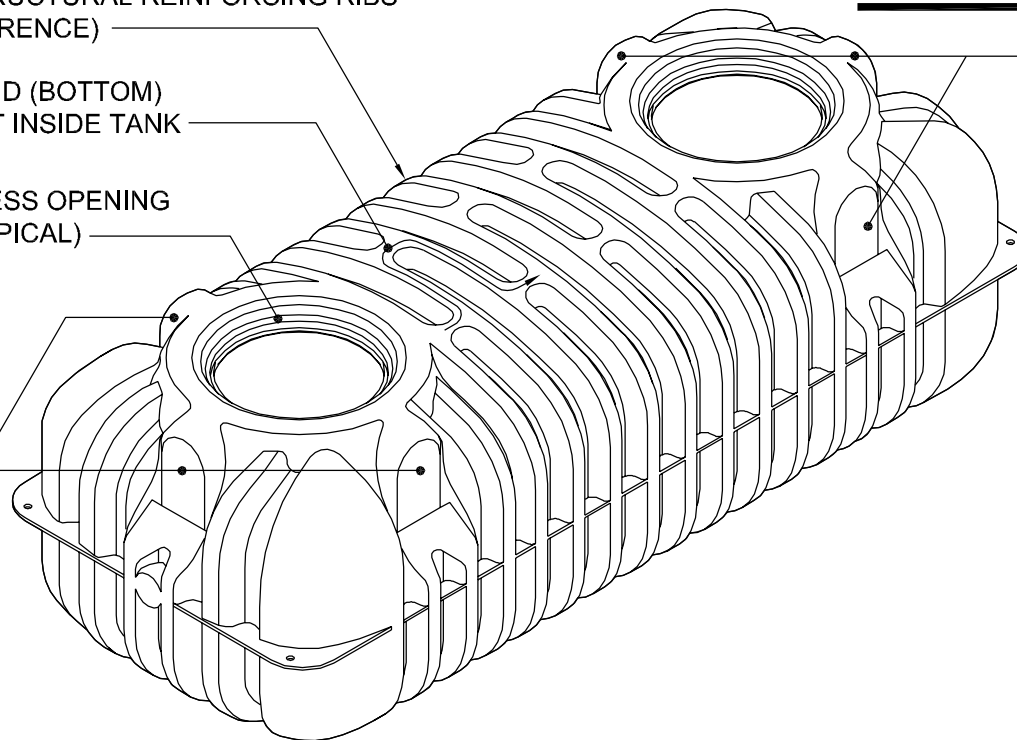
GAS (TOP) / LIQUID (BOTTOM)  
PASS-THRU SLOT INSIDE TANK

THREADED ACCESS OPENING  
24" I.D. DIA. (2 TYPICAL)

MULTI PORT  
INLETS  
(3 TYPICAL)

MULTI PORT  
OUTLETS  
(3 TYPICAL)

LIFTING  
HOLES  
(4 TYPICAL)



WARNING

**TANK NOTES**

1. Access at or above grade level must be secured against unauthorized access.
2. Tank is not rated for vehicular traffic loading.
3. All resin used is compliant with ASTM D 1248 as required by CSA B66 and IAPMO / ANSI Z1000-2007.
4. Tank material of construction is HMW-HDPE.
5. Primary dimensions are in inches
6. Minimum tank wall thickness is 1/4".
7. Labeling will include: manufacturer name, liquid capacity, date, maximum burial depth, and model number.
8. Riser cover contains the following: 6" x 3" warning:  
"Danger - Do not enter - Poison Gas" - written in English, French & Spanish.
9. Maximum burial depth from manufacturer is 36" unless specifically instructed otherwise by the factory.
10. Models RMT-750, RMT-1060, RMT-1250 and RMT-1500 are all certified to CSA and IAPMO standards.
11. Models RMT-500, RMT-900 and RMT-1000E are compliant with CSA and IAPMO standards.

**NOTES**

DWG SCALE: 1:1

PLOT SCALE: 1:2

SHEET #:  
3 OF 3

**ROTH MultiTank®**  
**1250 GALLON / MODEL RMT-1250**



ROTH GLOBAL PLASTICS  
One General Motors Drive  
Syracuse N.Y. 13206  
Call Toll Free 866.943.7256  
www.fralo.net