

Below Ground Septic Tank Installation Procedure

Important – Please Read *Entire Document* Carefully Before Installing This Product!

1. Excavation (Figure 1)

- a. Surrounding soil must be undisturbed soil or well-compacted engineering fill.
- b. Measure tank width, height, and length
- c. Excavate and provide a well-compacted support layer of sand / gravel mixture so that dim. (A) is min. of 6" for soil terrain and 12" for rock terrain.
- d. Allow dim. (B) to be a min. of 8" and a max. of 36".
- e. Allow dim. © to be a min. of 18" and a max. of 24".

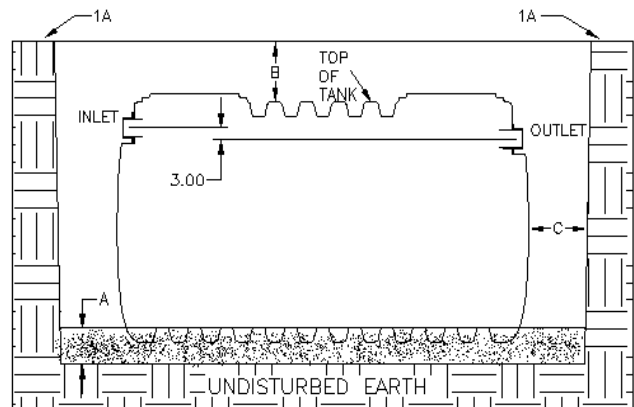


Figure 1: Excavation

2. Tank Assembly / Installation (Figure 2)

(Some tanks come pre-plumbed per request.)

- a. Install inlet / outlet seal into opening.
- b. Loosely attach gasket clamps to tank at openings with three ¼" x 1" hex bolts and washers.
- c. Slide 4" inlet / outlet pipe through seals and attach tees (and tee extensions if required).
- d. Cement as required with the proper solvent. Be sure to position tees so that they can be viewed through all access openings.
- e. Tighten gasket clamp bolts.
- f. In tow compartment tanks cut hole or install divider fittings per applicable code.
- g. Install the manhole risers or access covers before backfilling.
- h. Place and center tank in hole using lifting ears, not manholes.

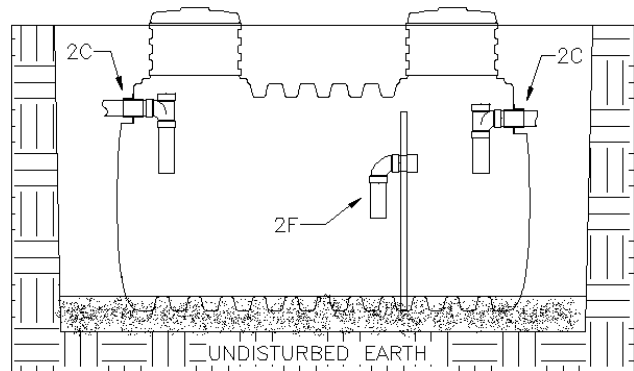


Figure 2: Tank Assembly / Installation

Caution: If factory manhole risers are not utilized to raise manhole to ground level, cribbing or sleeves must be installed around manhole.

3. Backfilling (Figure 3)

- a. Backfill all around tank using a sand / gravel mixture.
- b. Mound soil over septic tank in order to drain away from tank and allow for settling soil. 6" of native soil may be used for mounding.
- c. Fill tank to at least 1/3 capacity after tank is installed.

Caution: Backfill uniformly around tank perimeter. Never backfill on one end only.

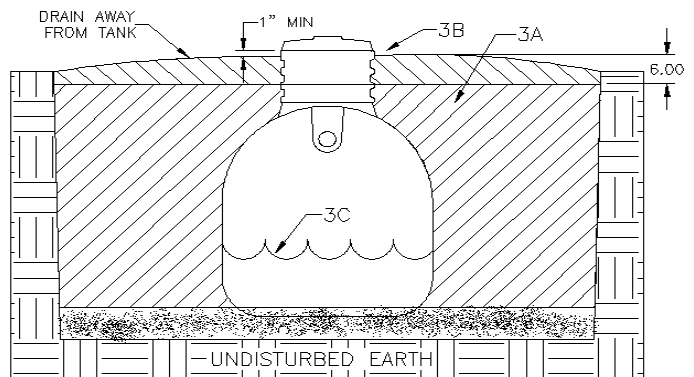


Figure 3: Backfilling

NOTE: PLEASE SEE GENERAL INFORMATION ON BACK OF FORM.

4. General Information

- a) Check with the governing agency in your county for specific installation requirements or codes for septic tank systems. These codes may specify different installation details than presented within this guideline and as a result will have precedence.
- b) This septic tank is designed for sewage discharge treatment only and when installed in accordance with applicable local, state and government regulated codes.
- c) This product is not designed for potable water or as a holding tank or cistern.

NEVER INSTALL THIS PRODUCT IN AN AREA WITH HIGH WATER TABLE OR IN WATER-SATURATED CLAY MIX. WATER TABLE SHALL NOT BE ABOVE BOTTOM OF TANK.

NEVER INSTALL THIS PRODUCT BENEATH VEHICULAR OR HEAVY EQUIPMENT TRAFFIC. THIS PRODUCT WAS NOT DESIGNED TO BE DRIVEN UPON.

NEVER LEAVE TANK LESS THAN 30% FROM EMPTY. REFILL IMMEDIATELY AFTER PUMPING CONTENTS.