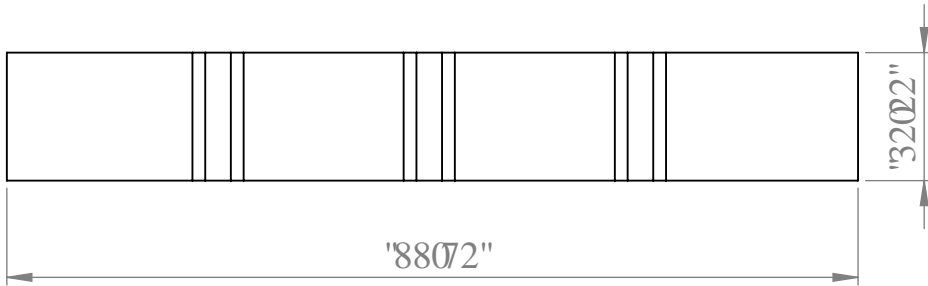
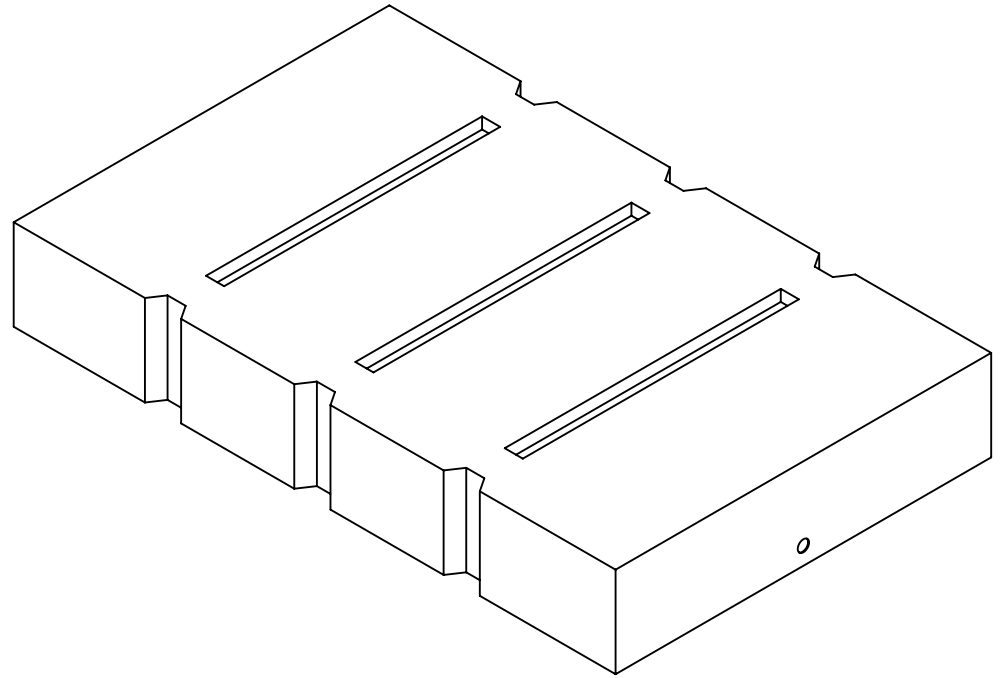
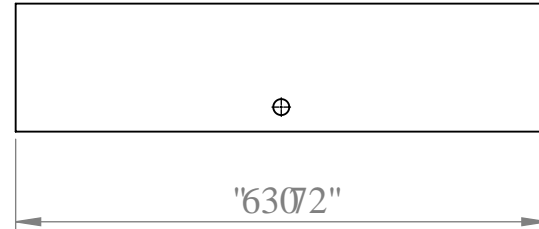


VQR



HTQP V



TK J V'UKFG

<p>CNNF IO GP UQ P UCTG TP RP EJ GU WP NGUUQVJ GTY RUGURGEHIGF 0</p>	<p>DNC \ G'RNCUVÆURCTVP GTUJ RR</p>	
<p>RTQRTIGVCTI 'CPF'EQPHFGPVCN VJ GTPHQTO CVIQP'EQP VCH'GF'RP 'VJ KU FTCY RP I 'RU'VJ GUQNGRTQRGTV\ 'QH DNC \ GRNCUVÆURCTVP GTUJ RR'CP [ " TGRTOF WEVQ P'RP 'RCTV'QT' CUC'Y J QNG Y R/J QW'VJ G'Y TR'VGP'RGTO RUIQP 'QH DNC \ GRNCUVÆURCTVP GTUJ RR'RU' RTQJ RDR'GF 0</p>	<p style="text-align: center;"><b>TX'322</b></p>	
	<p>UECNG&lt;3-37</p>	<p>F cvg UJ GGV'3'QH'3</p>