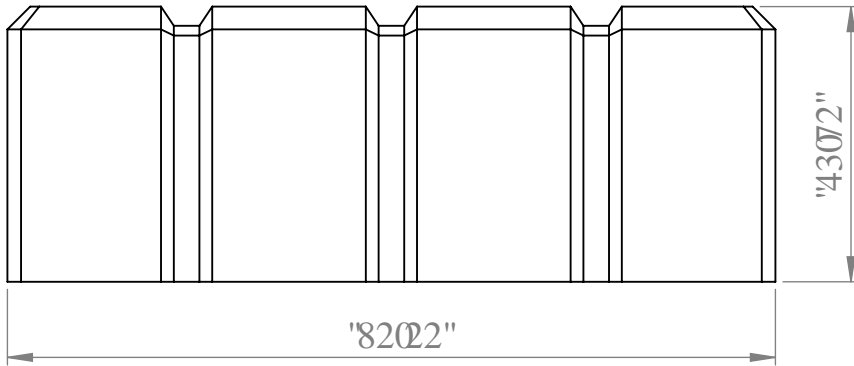
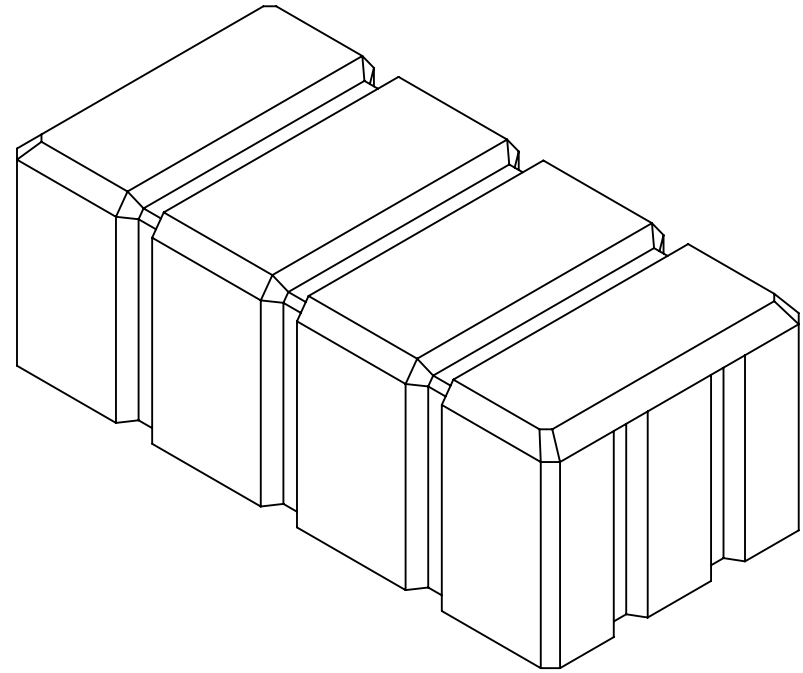
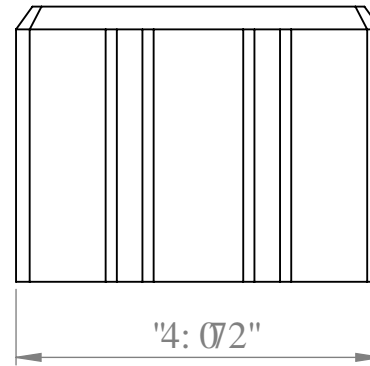


VQR



HTQP V



TK J V'URFG

CNNFIO GPURQP UCTGTP RP EJ GU  
WPNGUUQVJ GTY RUGURGEHGF 0

RTQRTIGVCTI 'CPF'EQPHFGPVCN  
VJ GTPHQTO CVIQP 'EQP VCH'GF 'R' VJ KU  
FTCY RPI 'RU'VJ GUQNGRTQRGTVJ 'QH  
DNC\ GRNCUVÆURCTVP GTUJ RR'CP [ "  
TGRTOF WEVQP 'R' RCTV'QT' CUC'Y J QNG  
Y R/J QW'VJ G'Y TR'VGP 'RGTO RUIQP 'QH  
DNC\ GRNCUVÆURCTVP GTUJ RR'RU'  
RTQJ RDR'GF 0

DNC\ G'RNCUVÆURCTVP GTUJ RR

TX'345

UECNG<3-37

F cvg

UJ GGV'3'QH'3