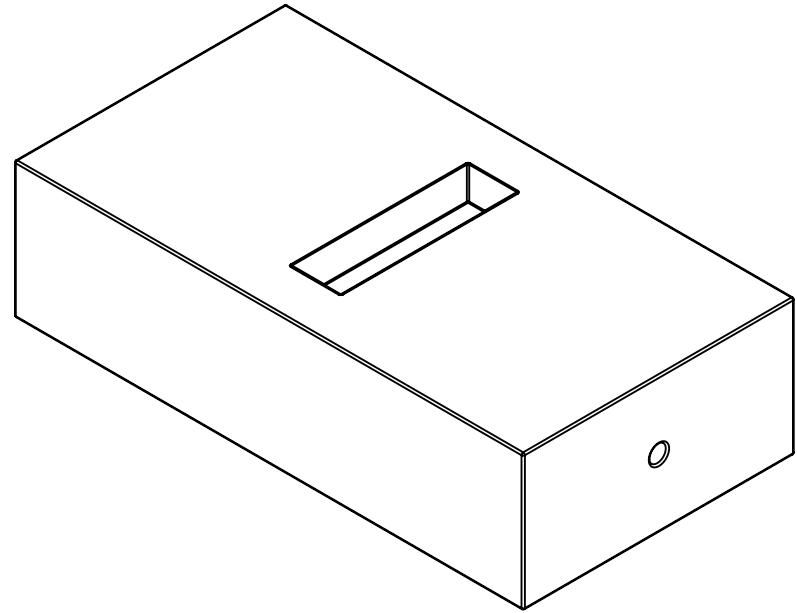
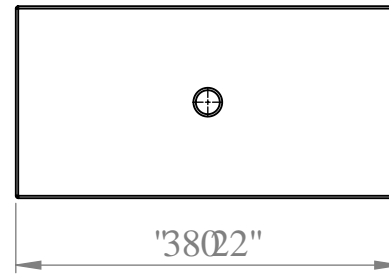


VQR



HTQP V



TK J V'UF G

CNNF IO GP UQP UCTG TP RP EJ GU
WP NGUUQVJ GY RUGURGE HIGF 0

RTQRTIGVCTI 'CPF EQPHF GPVICN
VJ GTP HQTO CVIQP 'EQP VCHGF TP 'VJ KU
FTCY RP I 'RU/VJ GUQNGRTQRGTV| 'QH
DNC\ GRNCUVÆURCTVP GTUJ RR'CP| "
TGRTOF WEVQP TP 'RCTV'QT' CUC'Y J QNG
Y R/J QW'VJ GY TR'VGP 'RGTO RUIQP 'QH
DNC\ GRNCUVÆURCTVP GTUJ RR'KU'
RTQJ RDR'GF 0

DNC\ G'RNCUVÆURCTVP GTUJ RR

TX'36

UECNG<3<

F cvg

UJ GGV'3'QH'3