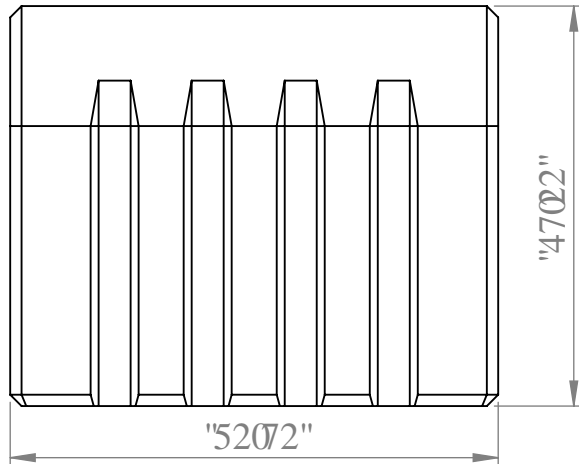
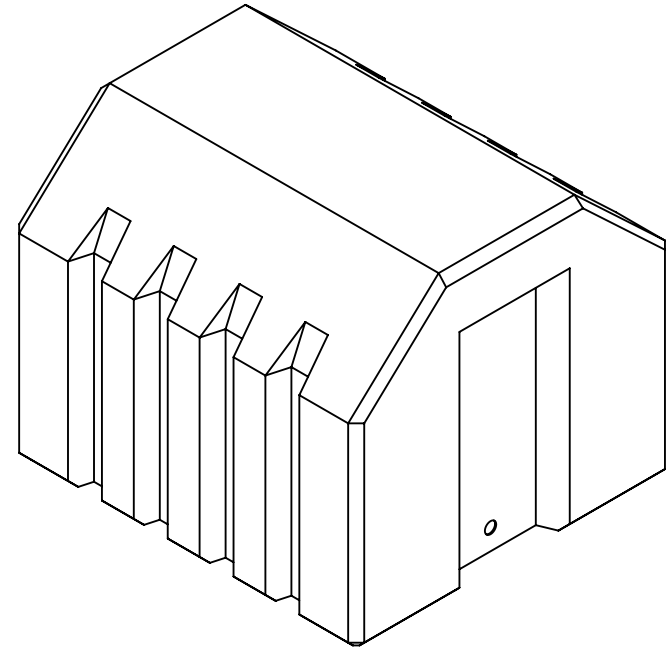
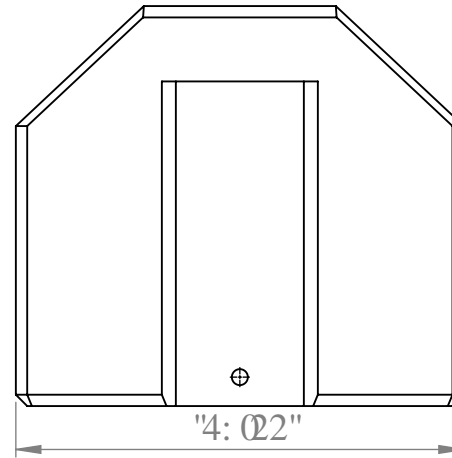


VQR



HTQP V



TK J V'UKFG

CNN'FO GP UKQP UCTG'P'P' EJ GU
WPNGU'QVJ GTY KUG'URGEHGF 0

DNC\ G'RNCUVÆU'RCTVP GTUJ RR

RTQRTIGVCTI 'CPF'EQPHF GPVICN
VJ G'P'HQTO CVIQP'EQP VCH'GF'P' VJ KU
FTCY R'P' I 'RU'VJ GU'QNGRTQRTVJ 'QH
DNC\ G'RNCUVÆU'RCTVP GTUJ RR'CP I "
TGRTOF WEVIQP'P' RCTV'QT' CUC'Y J QNG
Y R'J QW'VJ G'Y TR'VGP'RGTO KLIQ'P'QH
DNC\ G'RNCUVÆU'RCTVP GTUJ RR'U'
RTQJ RDR'GF 0

NRUV'77

UECNG<3-34

F cvg

UJ GGV'3'QH'3