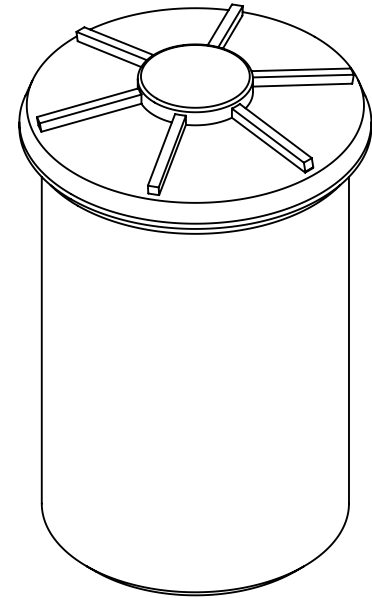
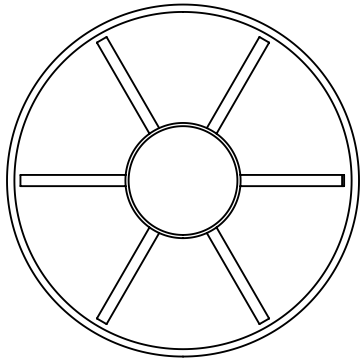
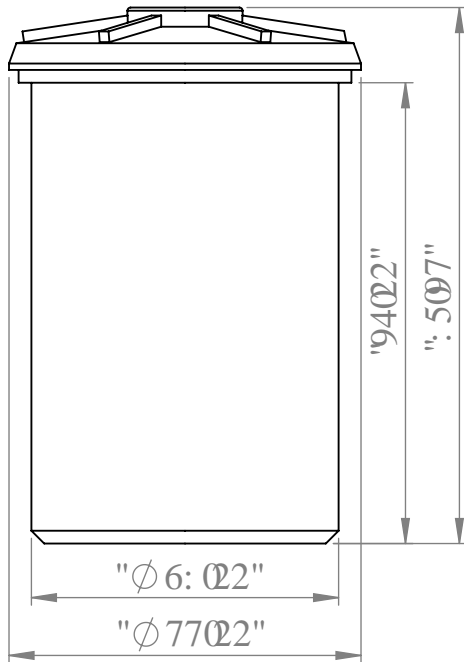


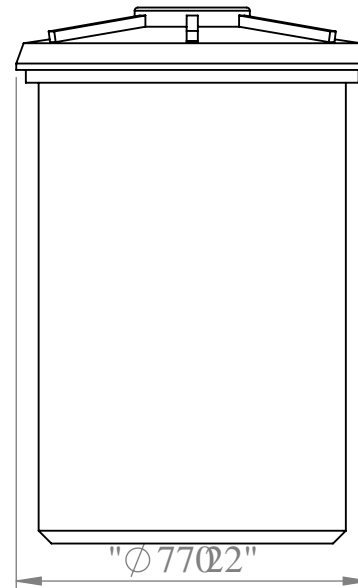
VQR



HTQP V



TK J V'UKFG



CNN'FO GP UKP UCTG'P'P' EJ GU  
WPN GUU'QVJ GTY KUG'URGEHIGF 0

DNC \ G'RNCUVÆURCTVP GTUJ R

RTQRTIGVCTI 'CPF'EQPHF GPVICN  
VJ G'P'HQTO CVIQP'EQP VCH'GF'P' VJ KU  
FTCY R'P' I' KU'VJ GUQNGRTQRTV' QH  
DNC \ G'RNCUVÆURCTVP GTUJ R'P'CP I' "  
TGRTOF WEVIQP'P' RCTV'QT' CUC'Y J QNG  
Y R'VJ QW'VJ G'Y T'R'VGP'RGTO KLIQP'QH  
DNC \ G'RNCUVÆURCTVP GTUJ R'KU'  
RTQJ RDR'GF 0

E { rkpf tkecn'6: ; 'Dqppgv

UECNG<3-52

F cvg

UJ GGV'3'QH'3

)

↑

(

,

&

%